

TL30.70 AGRI Low Cab 100 IV

Telescopic Specifications

Performance

Lifting height — on tyres	6675.0 mm
Rated capacity	3000 kg
Capacity (at max. height on tyres)	2000 kg
Capacity (at max. reach on tyres)	1050 kg
Max. reach on tyres	4020.0 mm

Weights

Weight (unladen)	5800 kg
------------------	---------

Traction

Standard tyres	Michelin tyres - set of 4 x 400/70R20" 149A8/149B IND TL XMCL
----------------	---

Drive System

Transmission	Hydrostatic with electronic regulation
Main drive	Hydrostatic motor
1st gear – Turtle (40 KM/H option)	10 (10) km/h
1st gear – Rabbit (40 KM/H option)	31 (40 with 24 inch tyres) km/h

Engine

Make / Model	Bobcat D34
Fuel	Diesel
Cooling	Coolant
Rated power (ISO 14396:2002) at 2200 RPM	100.0 HP
Rated power (ISO 14396:2002) at 2200 RPM	74.5 kW
Maximum torque at 1400 RPM	430.0 Nm
Number of cylinders	4
Displacement	340.0 L

Hydraulic System

Pump type	Gear pump with LS valve
Pump capacity	100.00 L/min
Relief valve pressure setting	250.00 bar

Cycle Times

Lift time - no load	5.3 s
Lower time - no load	4.0 s
Telescope in time at max. reach - no load	4.2 s
Telescope in time at max. height - no load	4.2 s
Telescope out time at max. reach - no load	6.3 s
Telescope out time at max. height - no load	6.3 s

Brakes

Engine braking	Hydrostatic
Parking and emergency brake	Passive brake

Fluid Capacities

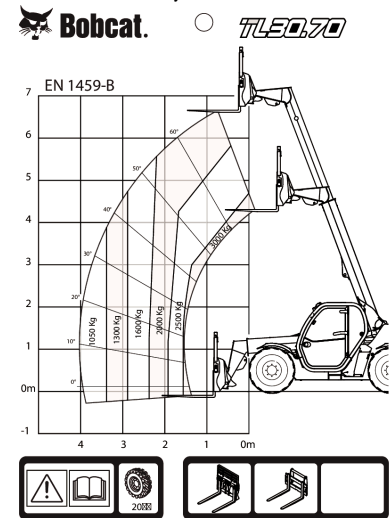
Fuel tank	115.00 L
Hydraulic reservoir	47.00 L

Environmental

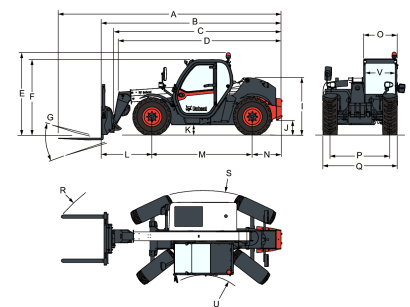
Operator noise level (LpA) (EN 12053)	77 dB(A)
Operator noise level (LpA) (EN 12053) uncertainty	4 dB(A)
Level of acoustic power (LWA)	104 dB(A)
Whole body vibration (EN 13059)	1.70 ms ⁻²

Load Charts

With forks on 20 inch tyres



Dimensions



(A)	6240.0 mm	(M)	2820.0 mm
(B)	5035.0 mm	(N)	667.0 mm
(C)	4670.0 mm	(O)	930.0 mm
(D)	4185.0 mm	(P)	1666.0 mm
(E)	2290.0 mm	(Q)	2100.0 mm
(F)	2100.0 mm	(R)	5035.0 mm
(G)	136.0°	(S)	5130.0 mm
(I)	1587.0 mm	(U)	3717.0 mm
(J)	264.0 mm	(V)	1329.0 mm
(L)	1400.0 mm		857.0 mm